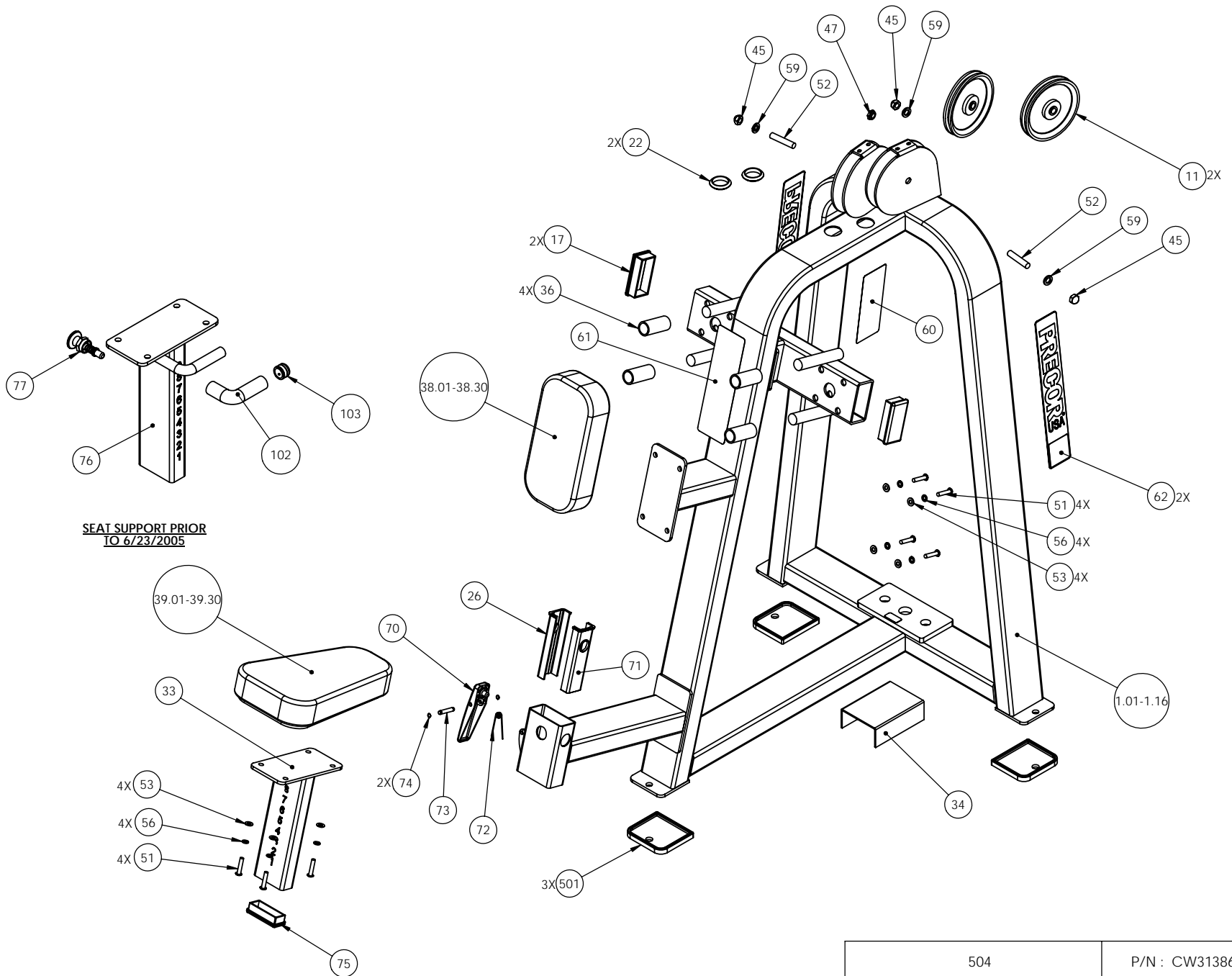
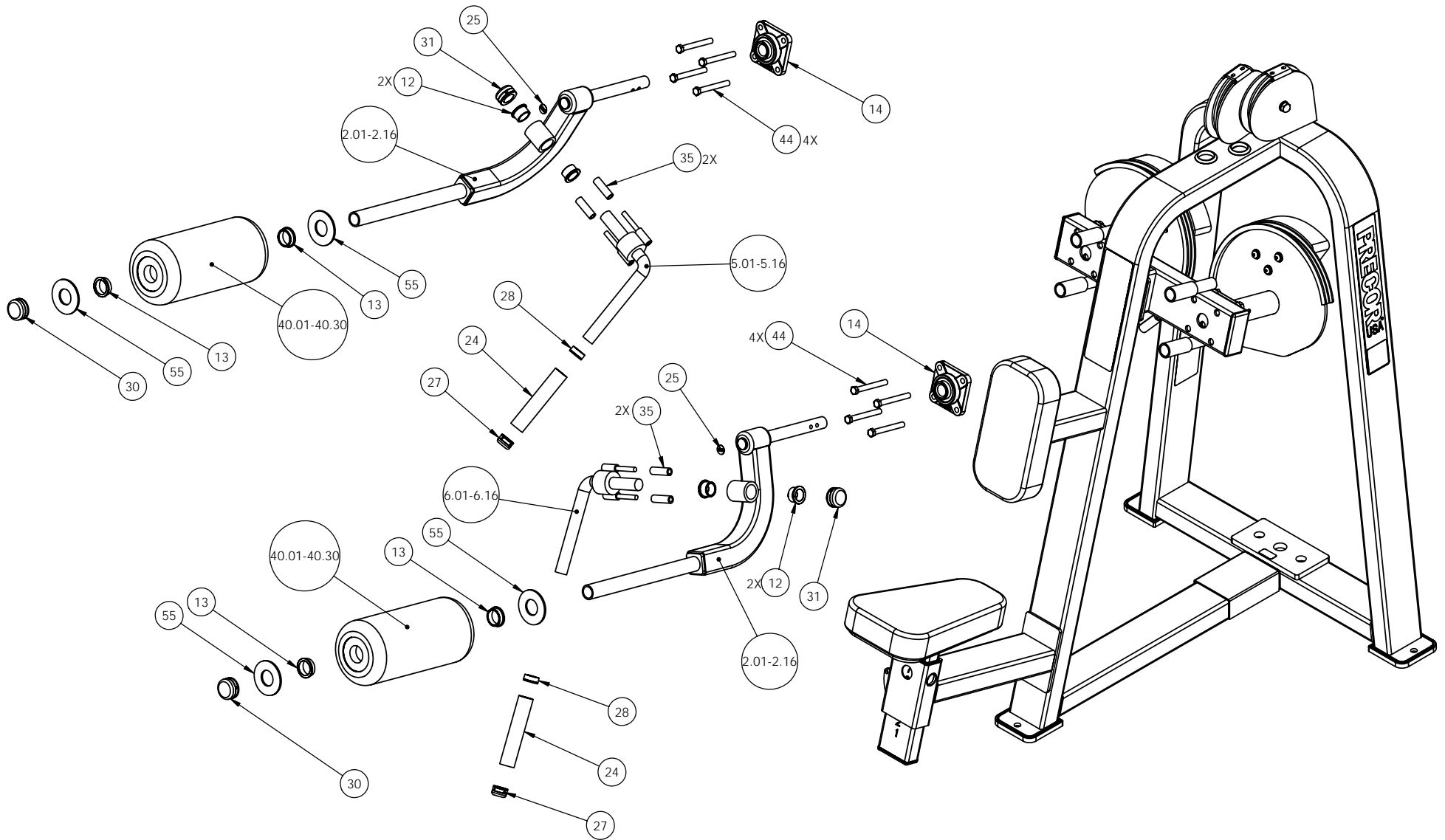


504	P/N : CW31386-102	SUBREV : C
DRAWN BY : CT	DATE : 11.08.05	SHEET 1 OF 4

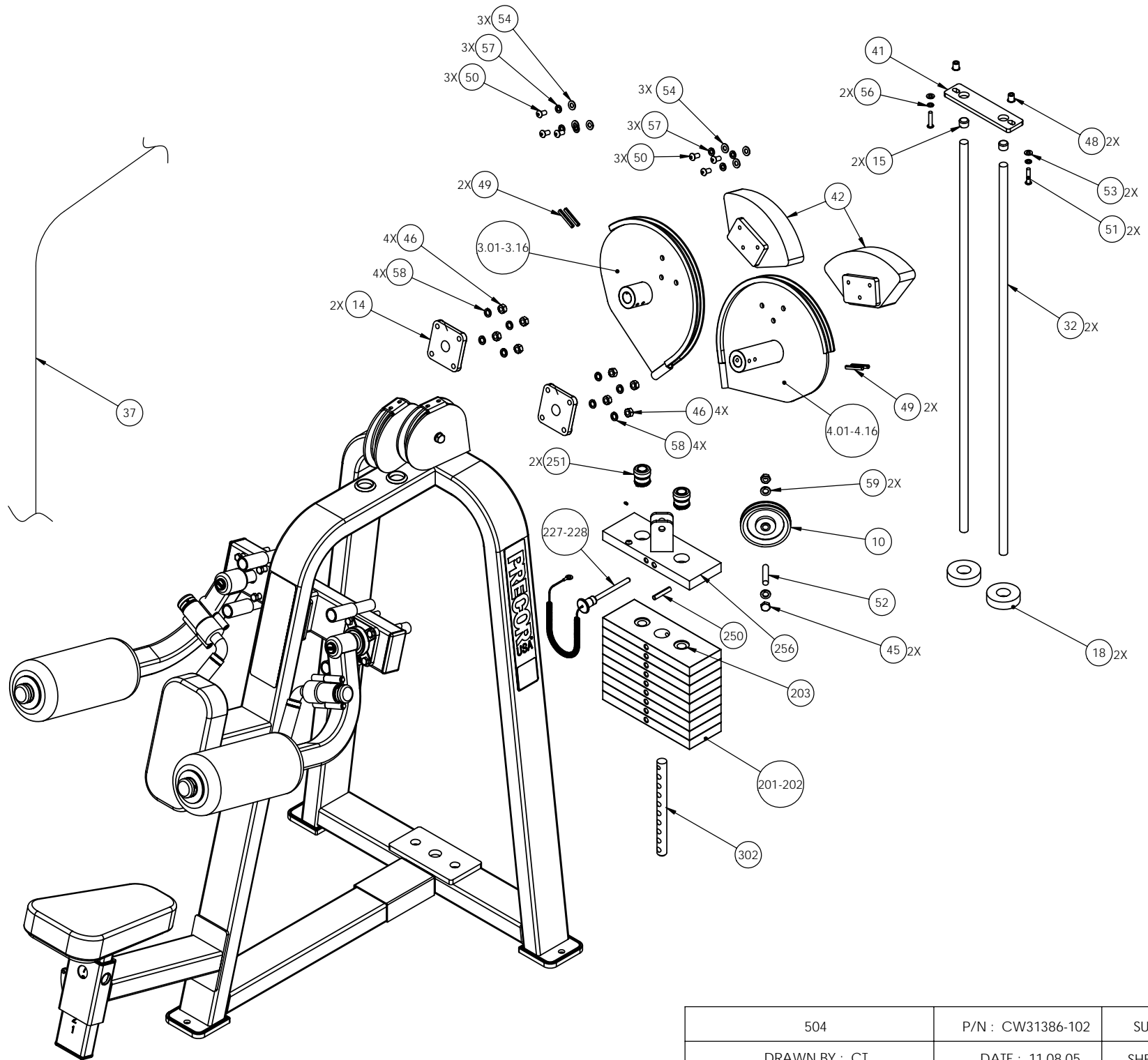


SEAT SUPPORT PRIOR TO 6/23/2005

504	P/N : CW31386-102	SUBREV : C
DRAWN BY : CT	DATE : 11.08.05	SHEET 2 OF 4



504	P/N : CW31386-102	SUBREV : C
DRAWN BY : CT	DATE : 11.08.05	SHEET 3 OF 4



504	P/N : CW31386-102	SUBREV : C
DRAWN BY : CT	DATE : 11.08.05	SHEET 4 OF 4

504 Lateral Raise

Part Number	Description	Bubble Number
CW504SA1-211	ASSY,FRAME,MAIN,504,SKY WHITE	1.01
CW504SA1-212	ASSY,FRAME,MAIN,504,SKY WHITE	1.01
CW504SA1-221	ASSY,FRAME,MAIN,504,BLACK	1.02
CW504SA1-222	ASSY,FRAME,MAIN,504,BLACK	1.02
CW504SA1-231	ASSY,FRAME,MAIN,504,RED	1.03
CW504SA1-241	ASSY,FRAME,MAIN,504,PLAT SPRKLE	1.04
CW504SA1-251	ASSY,FRAME,MAIN,504,SILVER	1.05
CW504SA1-261	ASSY,FRAME,MAIN,504,BLUE	1.06
CW504SA1-271	ASSY,FRAME,MAIN,504,CHARCOAL	1.07
CW504SA1-281	ASSY,FRAME,MAIN,504,CATH GRAY	1.08
CW504SA1-291	ASSY,FRAME,MAIN,504,SILVER VIEN	1.09
CW504SA1-312	ASSY,FRAME,MAIN,504,STONE HG	1.11
CW504SA1-321	ASSY,FRAME,MAIN,504,TITANIUM HG	1.12
CW504SA1-322	ASSY,FRAME,MAIN,504,TITANIUM HG	1.12
CW504SA1-331	ASSY,FRAME,MAIN,504,WHITE GLOSS	1.13
CW504SA1-341	ASSY,FRAME,MAIN,504,BLACK ONYX	1.14
CW504SA1-351	ASSY,FRAME,MAIN,504,LT. BRONZE	1.15
CW504SA1-352	ASSY,FRAME,MAIN,504,LT. BRONZE	1.15
CW504SA1-361	ASSY,FRAME,MAIN,504,SAPPHIRE BL	1.16
CW504SA1-362	ASSY,FRAME,MAIN,504,SAPPHIRE BL	1.16
CW504SA2-211	ASSY,ARM,504,SKY WHITE	2.01
CW504SA2-221	ASSY,ARM,504,BLACK	2.02
CW504SA2-231	ASSY,ARM,504,RED	2.03
CW504SA2-241	ASSY,ARM,504,PLAT SPKLE	2.04
CW504SA2-251	ASSY,ARM,504,SILVER	2.05
CW504SA2-261	ASSY,ARM,504,BLUE	2.06
CW504SA2-271	ASSY,ARM,504,CHARCOAL	2.07
CW504SA2-281	ASSY,ARM,504,CATH GRY	2.08
CW504SA2-291	ASSY,ARM,504,SILVER VIEN	2.09
CW504SA2-311	ASSY,ARM,504,STONE HG	2.11
CW504SA2-321	ASSY,ARM,504,TITANIUM HG	2.12
CW504SA2-331	ASSY,ARM,504,WHITE GLOSS	2.13
CW504SA2-341	ASSY,ARM,504,BLACK ONYX	2.14
CW504SA2-351	ASSY,ARM,504,LIGHT BRONZE	2.15
CW504SA2-361	ASSY,ARM,504,SAPPHIRE BLUE	2.16
CW504SA3L-211	ASSY,CAM LEFT,504,SKY WHITE	3.01
CW504SA3L-221	ASSY,CAM LEFT,504,BLACK	3.02
CW504SA3L-231	ASSY,CAM LEFT,504,RED	3.03
CW504SA3L-241	ASSY,CAM LEFT,504,PLATINUM SPRKL	3.04
CW504SA3L-251	ASSY,CAM LEFT,504,SILVER	3.05
CW504SA3L-261	ASSY,CAM LEFT,504,BLUE	3.06
CW504SA3L-271	ASSY,CAM LEFT,504,CHARCOAL	3.07
CW504SA3L-281	ASSY,CAM LEFT,504,CATHEDRAL GREY	3.08
CW504SA3L-291	ASSY,CAM LEFT,504,SILVER VIEN	3.09
CW504SA3L-311	ASSY,CAM LEFT,504,STONE HG	3.11
CW504SA3L-321	ASSY,CAM LEFT,504,TITANIUM HG	3.12
CW504SA3L-331	ASSY,CAM LEFT,504,WHITE GLOSS	3.13
CW504SA3L-341	ASSY,CAM LEFT,504,BLACK ONYX	3.14
CW504SA3L-351	ASSY,CAM LEFT,504,LIGHT BRONZE	3.15
CW504SA3L-361	ASSY,CAM LEFT,504,SAPPHIRE BLUE	3.16

CW504SA3R-211	ASSY,CAM RIGHT,504,SKY WHITE	4.01
CW504SA3R-221	ASSY,CAM RIGHT,504,BLACK	4.02
CW504SA3R-231	ASSY,CAM RIGHT,504,RED	4.03
CW504SA3R-241	ASSY,CAM RIGHT,504,PLATINUM SPRKL	4.04
CW504SA3R-251	ASSY,CAM RIGHT,504,SILVER	4.05
CW504SA3R-261	ASSY,CAM RIGHT,504,BLUE	4.06
CW504SA3R-271	ASSY,CAM RIGHT,504,CHARCOAL	4.07
CW504SA3R-281	ASSY,CAM RIGHT,504,CATHEDRAL GREY	4.08
CW504SA3R-291	ASSY,CAM RIGHT,504,SILVER VIEN	4.09
CW504SA3R-311	ASSY,CAM RIGHT,504,STONE HG	4.11
CW504SA3R-321	ASSY,CAM RIGHT,504,TITANIUM HG	4.12
CW504SA3R-331	ASSY,CAM RIGHT,504,WHITE GLOSS	4.13
CW504SA3R-341	ASSY,CAM RIGHT,504,BLACK ONYX	4.14
CW504SA3R-351	ASSY,CAM RIGHT,504,LIGHT BRONZE	4.15
CW504SA3R-361	ASSY,CAM RIGHT,504,SAPPHIRE BLUE	4.16
CW504SA4L-211	ASSY,HANDLE,LEFT,504,SKY WHITE	5.01
CW504SA4L-221	ASSY,HANDLE,LEFT,504,BLACK	5.02
CW504SA4L-231	ASSY,HANDLE,LEFT,504,RED	5.03
CW504SA4L-241	ASSY,HANDLE,LEFT,504,PLAT SPKLE	5.04
CW504SA4L-251	ASSY,HANDLE,LEFT,504,SILVER	5.05
CW504SA4L-261	ASSY,HANDLE,LEFT,504,BLUE	5.06
CW504SA4L-271	ASSY,HANDLE,LEFT,504,CHARCOAL	5.07
CW504SA4L-281	ASSY,HANDLE,LEFT,504,CATH GRY	5.08
CW504SA4L-291	ASSY,HANDLE,LEFT,504,SILVER VIEN	5.09
CW504SA4L-311	ASSY,HANDLE,LEFT,504,STONE HG	5.11
CW504SA4L-321	ASSY,HANDLE,LEFT,504,TITANIUM HG	5.12
CW504SA4L-331	ASSY,HANDLE,LEFT,504,WHITE GLOSS	5.13
CW504SA4L-341	ASSY,HANDLE,LEFT,504,BLACK ONYX	5.14
CW504SA4L-351	ASSY,HANDLE,LEFT,504,LIGHT BRONZE	5.15
CW504SA4L-361	ASSY,HANDLE,LEFT,504,SAPPHIRE BLUE	5.16
CW504SA4R-321	ASSY,HANDLE,RIGHT,504,TITANIUM HG	6
CW504SA4R-211	ASSY,HANDLE,RIGHT,504,SKY WHITE	6.01
CW504SA4R-221	ASSY,HANDLE,RIGHT,504,BLACK	6.02
CW504SA4R-231	ASSY,HANDLE,RIGHT,504,RED	6.03
CW504SA4R-241	ASSY,HANDLE,RIGHT,504,PLAT SPKLE	6.04
CW504SA4R-251	ASSY,HANDLE,RIGHT,504,SILVER	6.05
CW504SA4R-261	ASSY,HANDLE,RIGHT,504,BLUE	6.06
CW504SA4R-271	ASSY,HANDLE,RIGHT,504,CHARCOAL	6.07
CW504SA4R-281	ASSY,HANDLE,RIGHT,504,CATH GRY	6.08
CW504SA4R-291	ASSY,HANDLE,RIGHT,504,SILVER VIEN	6.09
CW504SA4R-311	ASSY,HANDLE,RIGHT,504,STONE HG	6.11
CW504SA4R-321	ASSY,HANDLE,RIGHT,504,TITANIUM HG	6.12
CW504SA4R-331	ASSY,HANDLE,RIGHT,504,WHITE GLOSS	6.13
CW504SA4R-341	ASSY,HANDLE,RIGHT,504,BLACK ONYX	6.14
CW504SA4R-351	ASSY,HANDLE,RIGHT,504,LIGHT BRONZE	6.15
CW504SA4R-361	ASSY,HANDLE,RIGHT,504,SAPPHIRE BLUE	6.16
CWAC1009-101	PULLEY, 4 1/2 DIA. X 1/2 ID	10
CWAC1010-101	PULLEY, 6 DIA X 1/2 ID	11
CW10043-134	BUSHING, BRONZE, 1" ID X 1 1/4" OD	12
CW10043-135	BUSHING, BRONZE, 1 1/4" ID X 1 1/2"	13
CW12405-101	PILLOW BLOCK, BEARING, FLANGE, 4 BO	14
CW12404-101	CAP, GUIDE ROD,DIA 3/4, BLK	15

CW11311-102	ENDCAP, REC TUBE, 2X4, BLK PLASTIC	17
CW12402-101	BUMPER, WEIGHT STACK, BLK RUBBER	18
CW31215-101	PLUG, BUTTON, 1 1/2 DIA W/ 1 3/8" H	22
CWGR2606-000	GRIP,RUBBER, 1" DIA, 6"	24
CWAC1232-101	LABEL, ROUND, "PIVOT"	25
CWAC1236-102	GUIDE INSERT, PLASTIC WITH HOLE, BL	26
CWAC218-901	HANDLE END CAP W/SET SCREWS, DIA 1"	27
CWAC219-902	HNDL RETAINER RNG, W/SS,1.040" I.D.	28
CWAC221-901	SHAFT END CAP W/SET SCREWS, DIA 1 1	30
CWAC222-901	ASSY, SHAFT END CAP W/SET SCREWS, D	31
CWPF1212-711	GUIDE ROD, 3/4 X 42 5/8 (#4), CHM	32
CW30181-711	ASSY,SEAT SUPPORT,9 HOLE,CHM	33
CW32535-711	ASSEMBLY, SEAT ADJUSTMENT, 8 HOLE,	33
CWCP8106-000	CP, ABS CHANNEL, 1/8 X 2 X 4 X 6	34
CW10340-200	TUBE, VINYL, 5/8 OD X 3/8 ID X 2.0	35
CWGR2603-000	GRIP,RUBBER, 1" DIA.,3"	36
CWCLHH136-000	ASSY, CABLE, 504	37
CWPD1110B-101	PAD,6X12,4HOLES,W/BP,BLACK	38.01
CWPD1110B-102	PAD,6X12,4HOLES,W/BP,RYL BL	38.02
CWPD1110B-103	PAD,6X12,4HOLES,W/BP,DV GRY	38.03
CWPD1110B-104	PAD,6X12,4HOLES,W/BP,CROCUS	38.04
CWPD1110B-105	PAD,6X12,4HOLES,W/BP,GROTTO	38.05
CWPD1110B-106	PAD,6X12,4HOLES,W/BP,GRPHT	38.06
CWPD1110B-107	PAD,6X12,4HOLES,W/BP,RED	38.07
CWPD1110B-108	PAD,6X12,4HOLES,W/BP,CH GRN	38.08
CWPD1110B-109	PAD,6X12,4HOLES,W/BP,TURQSE	38.09
CWPD1110B-110	PAD,6X12,4HOLES,W/BP,RASP	38.1
CWPD1110B-111	PAD,6X12,4HOLES,W/BP,PLUM	38.11
CWPD1110B-112	PAD,6X12,4HOLES,W/BP,REGMNT	38.12
CWPD1110B-113	PAD,6X12,4HOLES,W/BP,SP BLUE	38.13
CWPD1110B-115	PAD,6X12,4HOLES,W/BP,BLK LTH	38.15
CWPD1110B-116	PAD,6X12,4HOLES,W/BP,NB LTH	38.16
CWPD1110B-117	PAD,6X12,4HOLES,W/BP,PUTTY	38.17
CWPD1110B-118	PAD,6X12,4HOLES,W/BP,IMPRL BLUE	38.18
CWPD1110B-119	PAD,6X12,4HOLES,W/BP,YEW GREEN	38.19
CWPD1110B-120	PAD,6X12,4HOLES,W/BP,DUSTY JADE	38.2
CWPD1110B-121	PAD,6X12,4HOLES,W/BP,TERRA COTTA	38.21
CWPD1110B-122	PAD,6X12,4HOLES,W/BP,PAPRIKA	38.22
CWPD1110B-123	PAD,6X12,4HOLES,W/BP,ASH LTHR	38.23
CWPD1110B-124	PAD,6X12,4HOLES,W/BP,CERULEAN LTHR	38.24
CWPD1110B-125	PAD,6X12,4HOLES,W/BP,CHARCOAL LTHR	38.25
CWPD1110B-126	PAD,6X12,4HOLES,W/BP,HUNTER LTHR	38.26
CWPD1110B-127	PAD,6X12,4HOLES,W/BP,MOSS LTHR	38.27
CWPD1110B-128	PAD,6X12,4HOLES,W/BP,SPICE LTHR	38.28
CWPD1110B-129	PAD,6X12,4HOLES,W/BP,TOMATO LTHR	38.29
CWPD1207B-101	PAD,5X9X14.5,4HOLES,W/BP,BLACK	39.01
CWPD1207B-102	PAD,5X9X14.5,4HOLES,W/BP,RYL BL	39.02
CWPD1207B-103	PAD,5X9X14.5,4HOLES,W/BP,DVE GRY	39.03
CWPD1207B-104	PAD,5X9X14.5,4HOLES,W/BP,CROCUS	39.04
CWPD1207B-105	PAD,5X9X14.5,4HOLES,W/BP,GROTTO	39.05
CWPD1207B-106	PAD,5X9X14.5,4HOLES,W/BP,GRAPHITE	39.06
CWPD1207B-107	PAD,5X9X14.5,4HOLES,W/BP,RED	39.07

CWPD1207B-109	PAD,5X9X14.5,4HOLES,W/BP,TURQSE	39.09
CWPD1207B-111	PAD,5X9X14.5,4HOLES,W/BP,PLUM	39.11
CWPD1207B-112	PAD,5X9X14.5,4HOLES,W/BP,REGIMENT	39.12
CWPD1207B-113	PAD,5X9X14.5,4HOLES,W/BP,SPC BLUE	39.13
CWPD1207B-115	PAD,5X9X14.5,4HOLES,W/BP,BLK LTHR	39.15
CWPD1207B-116	PAD,5X9X14.5,4HOLES,W/BP,NVBL LTH	39.16
CWPD1207B-117	PAD,5X9X14.5,4HOLES,W/BP,PUTTY	39.17
CWPD1207B-118	PAD,5X9X14.5,4HOLES,W/BP,IMPRL BL	39.18
CWPD1207B-119	PAD,5X9X14.5,4HOLES,W/BP,YEW GRN	39.19
CWPD1207B-120	PAD,5X9X14.5,4HOLES,W/BP,DSTY JD	39.2
CWPD1207B-121	PAD,5X9X14.5,4HOLES,W/BP,TER COT	39.21
CWPD1207B-122	PAD,5X9X14.5,4HOLES,W/BP,PAPRIKA	39.22
CWPD1207B-123	PAD,5X9X14.5,4HLS,W/BP,ASH LTHR	39.23
CWPD1207B-124	PAD,5X9X14.5,4HLS,W/BP,CERULAN LTHR	39.24
CWPD1207B-125	PAD,5X9X14.5,4HLS,W/BP,CHARCOAL LTH	39.25
CWPD1207B-126	PAD,5X9X14.5,4HLS,W/BP,HUNTER LTHR	39.26
CWPD1207B-127	PAD,5X9X14.5,4HLS,W/BP,MOSS LTHR	39.27
CWPD1207B-128	PAD,5X9X14.5,4HLS,W/BP,SPICE LTHR	39.28
CWPD1207B-129	PAD,5X9X14.5,4HLS,W/BP,TOMATO LTH	39.29
CWPD1403A-101	PAD,5.625ODX1.5IDX12,BLACK	40.01
CWPD1403A-102	PAD,5.625ODX1.5IDX12,RYL BL	40.02
CWPD1403A-103	PAD,5.625ODX1.5IDX12,DV GRY	40.03
CWPD1403A-104	PAD,5.625ODX1.5IDX12,CROCUS	40.04
CWPD1403A-105	PAD,5.625ODX1.5IDX12,GROTTO	40.05
CWPD1403A-106	PAD,5.625ODX1.5IDX12,GRPHTE	40.06
CWPD1403A-107	PAD,5.625ODX1.5IDX12,RED	40.07
CWPD1403A-108	PAD,5.625ODX1.5IDX12,CH GRN	40.08
CWPD1403A-109	PAD,5.625ODX1.5IDX12,TURQSE	40.09
CWPD1403A-110	PAD,5.625ODX1.5IDX12,RASP	40.1
CWPD1403A-111	PAD,5.625ODX1.5IDX12,PLUM	40.11
CWPD1403A-112	PAD,5.625ODX1.5IDX12,REGMNT	40.12
CWPD1403A-113	PAD,5.625ODX1.5IDX12,SP BLUE	40.13
CWPD1403A-115	PAD,5.625ODX1.5IDX12,BLK LTH	40.15
CWPD1403A-116	PAD,5.625ODX1.5IDX12,NB LTH	40.16
CWPD1403A-117	PAD,5.625ODX1.5IDX12,PUTTY	40.17
CWPD1403A-118	PAD,5.625ODX1.5IDX12,IMPRL BL	40.18
CWPD1403A-120	PAD,5.625ODX1.5IDX12,DSTY JD	40.2
CWPD1403A-121	PAD,5.625ODX1.5IDX12,TER COT	40.21
CWPD1403A-122	PAD,5.625ODX1.5IDX12,PAPRIKA	40.22
CWPD1403A-123	PAD,5.625ODX1.5IDX12,ASH LTHR	40.23
CWPD1403A-124	PAD,5.625ODX1.5IDX12,CERULEAN LTHR	40.24
CWPD1403A-125	PAD,5.625ODX1.5IDX12,CHARCOAL LTHR	40.25
CWPD1403A-126	PAD,5.625ODX1.5IDX12,HUNTER LTHR	40.26
CWPD1403A-127	PAD,5.625ODX1.5IDX12,MOSS LTHR	40.27
CWPD1403A-128	PAD,5.625ODX1.5IDX12,SPICE LTHR	40.28
CWPD1403A-129	PAD,5.625ODX1.5IDX12,TOMATO LTHR	40.29
CWPF1016-731	BAR,,FLAT CR/HR, 3/8 X 2 X 8 1/4, 3	41
CWSA1501-721	WELDMENT, COUNTER WEIGHT, 2" THK, W	42
CW30088-100	WEIGHT STACK,100 LBS,MTP-S,PF1188L,	43
CWHCYN044-375	SCREW, HEX HEAD , BLK Xyla	44
CWKADLN050-081	NUT, ACORN, 1/2-13	45
CWKMYN044-038	NUT, HEX, UNC, 7/16-14, BLK Xylan	46

CWKAYN050-031	LOCKNUT, NYLON INSERT, HALF, UNC, 1	47
CW12537-109	NUT,INSERT,THIN-NUT,LARGE FLANGE	48
CWLDNN031-200	PIN, ROLL, DIA 5/16 X 2.00	49
CWTAYN038-075	SCREW, BUTTON HEAD, BLK XYLAN, 3/8	50
CWTAYN031-150	SCREW, BUTTON HEAD, BLK XYLAN,5/16	51
CWBFNN050-250	STUD, 1/2-13 X 2 1/2	52
CWWBKN031-007	WASHER, FLAT, TYPE A, SAE, 5/16 ID	53
CWWBKN038-007	WASHER, FLAT, TYPE A, SAE, 3/8 ID	54
CWWNKN138-016	WASHER, FLAT, 1 3/8 ID X 3 OD, 0.15	55
CWWALYN031-008	WASHER, SPLIT, 5/16 ID, BL	56
CWWALYN038-009	WASHER, SPLIT, 3/8 ID, BLK XYLAN	57
CWWALYN044-011	WASHER, SPLIT, 7/16 ID, BLK XYLAN	58
CWWALYN050-013	WASHER, SPLIT, 1/2 ID, BLK XYLAN	59
CW30010-101	LABEL,WARNING STRENGTH	60
CW30041-101	LABEL,INSTRUCTION,504	61
CW31756-101	LABEL, PRECOR USA ICARIAN LINE	62
CW31784-731	STOP PLUG, BLK ZN	63
CW32460-321	ASSY, RATCHETING LEVER, TITANIUM	70
CWAC1236-101	GUIDE INSERT, PLASTIC WITHOUT HOLE,	71
CW12634-101	SPRING, TORSION 90 DEG X 0.484 X 0.	72
CW31770-742	LATCH PIVOTING PIN, CLR ZN	73
CWAMNN028-003	RING, RETAINING, 2-TURN, SPIRAL, SS	74
CW12633-101	ENDCAP, REC TUBE, LDP, 1 1/2 X 3 1	75
CW30181-711	ASSY,SEAT SUPPORT,9 HOLE,CHM	76
CW30165-751	ASSY, POP PIN, 0.450 DIA HANDLE, B	77
CWAC220-901	HANDLE END CAP W/SET SCREWS, DIA 3/	101
CWGR2505-000	GRIP,RUBBER,3/4" DIA, 5"	102
CW10510-721	ASSY, PLATE, WEIGHT, 10 LBS, WRKL B	201
CW10520-721	ASSY, PLATE, WEIGHT, 20 LBS, WRKL B	202
CWAC1133-101	BUSHING, WEIGHT PLATE, LDPE PLASTIC	203
CW30172-751	ASSY, 4.00 IN WEIGHT STACK PIN AND	227
CW30173-751	ASSY, 6.00 IN WEIGHT STACK PIN AND	228
CWLDNN038-200	PIN, ROLL, DIA 3/8 X 2	250
CW30184-901	ASSY,BARREL, TOP PLATE,ALUMINUM	251
CW30390-721	WELDMENT, WEIGHT, TOP, MTP-S, PF118	256
CWAC1185-101	LABL,KEEP HND&FT CLR(CEMCO)3/8X6.75	259
CW30128-712	SELECTOR STEM, 10 PLATE,0 .875 DIA,	302
CWAC1185-101	LABL,KEEP HND&FT CLR(CEMCO)3/8X6.75	312
CW12401-106	LABEL, WEIGHT PLATE, 20 LBS/ 8 KG	319
CW12401-110	LABEL, WEIGHT PLATE, 30 LBS/ 13.6 K	323
CW12401-114	LABEL, WEIGHT PLATE, 40 LBS/ 18.2 K	327
CW12401-118	LABEL, WEIGHT PLATE, 50 LBS/ 22.7 K	331
CW12401-120	LABEL, WEIGHT PLATE, 60 LBS/ 27.3 K	333
CW12401-122	LABEL, WEIGHT PLATE, 70 LBS/ 31.8 K	335
CW12401-124	LABEL, WEIGHT PLATE, 80 LBS/ 36.4 K	337
CW12401-126	LABEL, WEIGHT PLATE, 90 LBS/ 40.9 K	339
CW12401-128	LABEL, WEIGHT PLATE, 100 LBS/ 45.5	341
CW12401-130	LABEL, WEIGHT PLATE, 120 LBS/ 54.6	343
CW12401-132	LABEL, WEIGHT PLATE, 140 LBS/ 63.6	345
CW30390-721	WELDMENT, WEIGHT, TOP, MTP-S, PF118	356
CW12537-109	NUT,INSERT,THIN-NUT,LARGE FLANGE	400
CW30126-101	LABEL,VINYL, PRECOR, 3.25 X 18.0	401

CWPF3143-211	SHROUD,SHEET,STEEL,3/32 THICK,4 BEN	402.01
CWPF3143-221	SHROUD,SHEET,STEEL,3/32 THICK,4 BEN	402.02
CWPF3143-231	SHROUD,SHEET,STEEL,3/32 THICK,4 BEN	402.03
CWPF3143-241	SHROUD,SHEET,STEEL,3/32 THICK,4 BEN	402.04
CWPF3143-251	SHROUD,SHEET,STEEL,3/32 THICK,4 BEN	402.05
CWPF3143-261	SHROUD,SHEET,STEEL,3/32 THICK,4 BEN	402.06
CWPF3143-271	SHROUD,SHEET,STEEL,3/32 THICK,4 BEN	402.07
CWPF3143-281	SHROUD,SHEET,STEEL,3/32 THICK,4 BEN	402.08
CWPF3143-291	SHROUD,SHEET,STEEL,3/32 THICK,4 BEN	402.09
CWPF3143-311	SHROUD,SHEET,STEEL,3/32 THICK,4 BEN	402.11
CWPF3143-321	SHROUD,SHEET,STEEL,3/32 THICK,4 BEN	402.12
CWPF3143-331	SHROUD,SHEET,STEEL,3/32 THICK,4 BEN	402.13
CWPF3143-341	SHROUD,SHEET,STEEL,3/32 THICK,4 BEN	402.14
CWPF3143-351	SHROUD,SHEET,STEEL,3/32 THICK,4 BEN	402.15
CWPF3143-361	SHROUD,SHEET,STEEL,3/32 THICK,4 BEN	402.16
CWPF3143-711	SHROUD,SHEET,STEEL,3/32 THICK,4 BEN	402.17
CWPF3144-721	SHROUD BRKT,PLATE,STEEL,1/8 THICK,1	403
CWPF3145-721	SHROUD BRKT,PLATE,STEEL,1/8 THICK,2	404
CWTAYN031-100	SCREW, BUTTON HEAD, BLK XYLAN, 5/1	405
CWWALYN031-008	WASHER, SPLIT, 5/16 ID, BL	406
CWWBKN031-007	WASHER, FLAT, TYPE A, SAE, 5/16 ID	407
CWAC1177-101	FLOOR PROTECTOR, RUBBER, 4.563 X 4.	501

504 Lateral Raise

Part Number	Description	Bubble Number
CW504SA1-211	ASSY,FRAME,MAIN,504,SKY WHITE	1.01
CW504SA1-212	ASSY,FRAME,MAIN,504,SKY WHITE	1.01
CW504SA1-221	ASSY,FRAME,MAIN,504,BLACK	1.02
CW504SA1-222	ASSY,FRAME,MAIN,504,BLACK	1.02
CW504SA1-231	ASSY,FRAME,MAIN,504,RED	1.03
CW504SA1-241	ASSY,FRAME,MAIN,504,PLAT SPRKLE	1.04
CW504SA1-251	ASSY,FRAME,MAIN,504,SILVER	1.05
CW504SA1-261	ASSY,FRAME,MAIN,504,BLUE	1.06
CW504SA1-271	ASSY,FRAME,MAIN,504,CHARCOAL	1.07
CW504SA1-281	ASSY,FRAME,MAIN,504,CATH GRAY	1.08
CW504SA1-291	ASSY,FRAME,MAIN,504,SILVER VIEN	1.09
CW504SA1-312	ASSY,FRAME,MAIN,504,STONE HG	1.11
CW504SA1-321	ASSY,FRAME,MAIN,504,TITANIUM HG	1.12
CW504SA1-322	ASSY,FRAME,MAIN,504,TITANIUM HG	1.12
CW504SA1-331	ASSY,FRAME,MAIN,504,WHITE GLOSS	1.13
CW504SA1-341	ASSY,FRAME,MAIN,504,BLACK ONYX	1.14
CW504SA1-351	ASSY,FRAME,MAIN,504,LT. BRONZE	1.15
CW504SA1-352	ASSY,FRAME,MAIN,504,LT. BRONZE	1.15
CW504SA1-361	ASSY,FRAME,MAIN,504,SAPPHIRE BL	1.16
CW504SA1-362	ASSY,FRAME,MAIN,504,SAPPHIRE BL	1.16
CW504SA2-211	ASSY,ARM,504,SKY WHITE	2.01
CW504SA2-221	ASSY,ARM,504,BLACK	2.02
CW504SA2-231	ASSY,ARM,504,RED	2.03
CW504SA2-241	ASSY,ARM,504,PLAT SPKLE	2.04
CW504SA2-251	ASSY,ARM,504,SILVER	2.05
CW504SA2-261	ASSY,ARM,504,BLUE	2.06
CW504SA2-271	ASSY,ARM,504,CHARCOAL	2.07
CW504SA2-281	ASSY,ARM,504,CATH GRY	2.08
CW504SA2-291	ASSY,ARM,504,SILVER VIEN	2.09
CW504SA2-311	ASSY,ARM,504,STONE HG	2.11
CW504SA2-321	ASSY,ARM,504,TITANIUM HG	2.12
CW504SA2-331	ASSY,ARM,504,WHITE GLOSS	2.13
CW504SA2-341	ASSY,ARM,504,BLACK ONYX	2.14
CW504SA2-351	ASSY,ARM,504,LIGHT BRONZE	2.15
CW504SA2-361	ASSY,ARM,504,SAPPHIRE BLUE	2.16
CW504SA3L-211	ASSY,CAM LEFT,504,SKY WHITE	3.01
CW504SA3L-221	ASSY,CAM LEFT,504,BLACK	3.02
CW504SA3L-231	ASSY,CAM LEFT,504,RED	3.03
CW504SA3L-241	ASSY,CAM LEFT,504,PLATINUM SPRKLE	3.04
CW504SA3L-251	ASSY,CAM LEFT,504,SILVER	3.05
CW504SA3L-261	ASSY,CAM LEFT,504,BLUE	3.06
CW504SA3L-271	ASSY,CAM LEFT,504,CHARCOAL	3.07
CW504SA3L-281	ASSY,CAM LEFT,504,CATHEDRAL GREY	3.08
CW504SA3L-291	ASSY,CAM LEFT,504,SILVER VIEN	3.09
CW504SA3L-311	ASSY,CAM LEFT,504,STONE HG	3.11
CW504SA3L-321	ASSY,CAM LEFT,504,TITANIUM HG	3.12
CW504SA3L-331	ASSY,CAM LEFT,504,WHITE GLOSS	3.13
CW504SA3L-341	ASSY,CAM LEFT,504,BLACK ONYX	3.14
CW504SA3L-351	ASSY,CAM LEFT,504,LIGHT BRONZE	3.15
CW504SA3L-361	ASSY,CAM LEFT,504,SAPPHIRE BLUE	3.16

CW504SA3R-211	ASSY,CAM RIGHT,504,SKY WHITE	4.01
CW504SA3R-221	ASSY,CAM RIGHT,504,BLACK	4.02
CW504SA3R-231	ASSY,CAM RIGHT,504,RED	4.03
CW504SA3R-241	ASSY,CAM RIGHT,504,PLATINUM SPRKL	4.04
CW504SA3R-251	ASSY,CAM RIGHT,504,SILVER	4.05
CW504SA3R-261	ASSY,CAM RIGHT,504,BLUE	4.06
CW504SA3R-271	ASSY,CAM RIGHT,504,CHARCOAL	4.07
CW504SA3R-281	ASSY,CAM RIGHT,504,CATHEDRAL GREY	4.08
CW504SA3R-291	ASSY,CAM RIGHT,504,SILVER VIEN	4.09
CW504SA3R-311	ASSY,CAM RIGHT,504,STONE HG	4.11
CW504SA3R-321	ASSY,CAM RIGHT,504,TITANIUM HG	4.12
CW504SA3R-331	ASSY,CAM RIGHT,504,WHITE GLOSS	4.13
CW504SA3R-341	ASSY,CAM RIGHT,504,BLACK ONYX	4.14
CW504SA3R-351	ASSY,CAM RIGHT,504,LIGHT BRONZE	4.15
CW504SA3R-361	ASSY,CAM RIGHT,504,SAPPHIRE BLUE	4.16
CW504SA4L-211	ASSY,HANDLE,LEFT,504,SKY WHITE	5.01
CW504SA4L-221	ASSY,HANDLE,LEFT,504,BLACK	5.02
CW504SA4L-231	ASSY,HANDLE,LEFT,504,RED	5.03
CW504SA4L-241	ASSY,HANDLE,LEFT,504,PLAT SPKLE	5.04
CW504SA4L-251	ASSY,HANDLE,LEFT,504,SILVER	5.05
CW504SA4L-261	ASSY,HANDLE,LEFT,504,BLUE	5.06
CW504SA4L-271	ASSY,HANDLE,LEFT,504,CHARCOAL	5.07
CW504SA4L-281	ASSY,HANDLE,LEFT,504,CATH GRY	5.08
CW504SA4L-291	ASSY,HANDLE,LEFT,504,SILVER VIEN	5.09
CW504SA4L-311	ASSY,HANDLE,LEFT,504,STONE HG	5.11
CW504SA4L-321	ASSY,HANDLE,LEFT,504,TITANIUM HG	5.12
CW504SA4L-331	ASSY,HANDLE,LEFT,504,WHITE GLOSS	5.13
CW504SA4L-341	ASSY,HANDLE,LEFT,504,BLACK ONYX	5.14
CW504SA4L-351	ASSY,HANDLE,LEFT,504,LIGHT BRONZE	5.15
CW504SA4L-361	ASSY,HANDLE,LEFT,504,SAPPHIRE BLUE	5.16
CW504SA4R-321	ASSY,HANDLE,RIGHT,504,TITANIUM HG	6
CW504SA4R-211	ASSY,HANDLE,RIGHT,504,SKY WHITE	6.01
CW504SA4R-221	ASSY,HANDLE,RIGHT,504,BLACK	6.02
CW504SA4R-231	ASSY,HANDLE,RIGHT,504,RED	6.03
CW504SA4R-241	ASSY,HANDLE,RIGHT,504,PLAT SPKLE	6.04
CW504SA4R-251	ASSY,HANDLE,RIGHT,504,SILVER	6.05
CW504SA4R-261	ASSY,HANDLE,RIGHT,504,BLUE	6.06
CW504SA4R-271	ASSY,HANDLE,RIGHT,504,CHARCOAL	6.07
CW504SA4R-281	ASSY,HANDLE,RIGHT,504,CATH GRY	6.08
CW504SA4R-291	ASSY,HANDLE,RIGHT,504,SILVER VIEN	6.09
CW504SA4R-311	ASSY,HANDLE,RIGHT,504,STONE HG	6.11
CW504SA4R-321	ASSY,HANDLE,RIGHT,504,TITANIUM HG	6.12
CW504SA4R-331	ASSY,HANDLE,RIGHT,504,WHITE GLOSS	6.13
CW504SA4R-341	ASSY,HANDLE,RIGHT,504,BLACK ONYX	6.14
CW504SA4R-351	ASSY,HANDLE,RIGHT,504,LIGHT BRONZE	6.15
CW504SA4R-361	ASSY,HANDLE,RIGHT,504,SAPPHIRE BLUE	6.16
CWAC1009-101	PULLEY, 4 1/2 DIA. X 1/2 ID	10
CWAC1010-101	PULLEY, 6 DIA X 1/2 ID	11
CW10043-134	BUSHING, BRONZE, 1" ID X 1 1/4" OD	12
CW10043-135	BUSHING, BRONZE, 1 1/4" ID X 1 1/2"	13
CW12405-101	PILLOW BLOCK, BEARING, FLANGE, 4 BO	14
CW12404-101	CAP, GUIDE ROD,DIA 3/4, BLK	15

CW11311-102	ENDCAP, REC TUBE, 2X4, BLK PLASTIC	17
CW12402-101	BUMPER, WEIGHT STACK, BLK RUBBER	18
CW31215-101	PLUG, BUTTON, 1 1/2 DIA W/ 1 3/8" H	22
CWGR2606-000	GRIP,RUBBER, 1" DIA, 6"	24
CWAC1232-101	LABEL, ROUND, "PIVOT"	25
CWAC1236-102	GUIDE INSERT, PLASTIC WITH HOLE, BL	26
CWAC218-901	HANDLE END CAP W/SET SCREWS, DIA 1"	27
CWAC219-902	HNDL RETAINER RNG, W/SS,1.040" I.D.	28
CWAC221-901	SHAFT END CAP W/SET SCREWS, DIA 1 1	30
CWAC222-901	ASSY, SHAFT END CAP W/SET SCREWS, D	31
CWPF1212-711	GUIDE ROD, 3/4 X 42 5/8 (#4), CHM	32
CW30181-711	ASSY,SEAT SUPPORT,9 HOLE,CHM	33
CW32535-711	ASSEMBLY, SEAT ADJUSTMENT, 8 HOLE,	33
CWCP8106-000	CP, ABS CHANNEL, 1/8 X 2 X 4 X 6	34
CW10340-200	TUBE, VINYL, 5/8 OD X 3/8 ID X 2.0	35
CWGR2603-000	GRIP,RUBBER, 1" DIA.,3"	36
CWCLHH136-000	ASSY, CABLE, 504	37
CWPD1110B-101	PAD,6X12,4HOLES,W/BP,BLACK	38.01
CWPD1110B-102	PAD,6X12,4HOLES,W/BP,RYL BL	38.02
CWPD1110B-103	PAD,6X12,4HOLES,W/BP,DV GRY	38.03
CWPD1110B-104	PAD,6X12,4HOLES,W/BP,CROCUS	38.04
CWPD1110B-105	PAD,6X12,4HOLES,W/BP,GROTTO	38.05
CWPD1110B-106	PAD,6X12,4HOLES,W/BP,GRPHT	38.06
CWPD1110B-107	PAD,6X12,4HOLES,W/BP,RED	38.07
CWPD1110B-108	PAD,6X12,4HOLES,W/BP,CH GRN	38.08
CWPD1110B-109	PAD,6X12,4HOLES,W/BP,TURQSE	38.09
CWPD1110B-110	PAD,6X12,4HOLES,W/BP,RASP	38.1
CWPD1110B-111	PAD,6X12,4HOLES,W/BP,PLUM	38.11
CWPD1110B-112	PAD,6X12,4HOLES,W/BP,REGMNT	38.12
CWPD1110B-113	PAD,6X12,4HOLES,W/BP,SP BLUE	38.13
CWPD1110B-115	PAD,6X12,4HOLES,W/BP,BLK LTH	38.15
CWPD1110B-116	PAD,6X12,4HOLES,W/BP,NB LTH	38.16
CWPD1110B-117	PAD,6X12,4HOLES,W/BP,PUTTY	38.17
CWPD1110B-118	PAD,6X12,4HOLES,W/BP,IMPRL BLUE	38.18
CWPD1110B-119	PAD,6X12,4HOLES,W/BP,YEW GREEN	38.19
CWPD1110B-120	PAD,6X12,4HOLES,W/BP,DUSTY JADE	38.2
CWPD1110B-121	PAD,6X12,4HOLES,W/BP,TERRA COTTA	38.21
CWPD1110B-122	PAD,6X12,4HOLES,W/BP,PAPRIKA	38.22
CWPD1110B-123	PAD,6X12,4HOLES,W/BP,ASH LTHR	38.23
CWPD1110B-124	PAD,6X12,4HOLES,W/BP,CERULEAN LTHR	38.24
CWPD1110B-125	PAD,6X12,4HOLES,W/BP,CHARCOAL LTHR	38.25
CWPD1110B-126	PAD,6X12,4HOLES,W/BP,HUNTER LTHR	38.26
CWPD1110B-127	PAD,6X12,4HOLES,W/BP,MOSS LTHR	38.27
CWPD1110B-128	PAD,6X12,4HOLES,W/BP,SPICE LTHR	38.28
CWPD1110B-129	PAD,6X12,4HOLES,W/BP,TOMATO LTHR	38.29
CWPD1207B-101	PAD,5X9X14.5,4HOLES,W/BP,BLACK	39.01
CWPD1207B-102	PAD,5X9X14.5,4HOLES,W/BP,RYL BL	39.02
CWPD1207B-103	PAD,5X9X14.5,4HOLES,W/BP,DVE GRY	39.03
CWPD1207B-104	PAD,5X9X14.5,4HOLES,W/BP,CROCUS	39.04
CWPD1207B-105	PAD,5X9X14.5,4HOLES,W/BP,GROTTO	39.05
CWPD1207B-106	PAD,5X9X14.5,4HOLES,W/BP,GRAPHITE	39.06
CWPD1207B-107	PAD,5X9X14.5,4HOLES,W/BP,RED	39.07

CWPD1207B-109	PAD,5X9X14.5,4HOLES,W/BP,TURQSE	39.09
CWPD1207B-111	PAD,5X9X14.5,4HOLES,W/BP,PLUM	39.11
CWPD1207B-112	PAD,5X9X14.5,4HOLES,W/BP,REGIMENT	39.12
CWPD1207B-113	PAD,5X9X14.5,4HOLES,W/BP,SPC BLUE	39.13
CWPD1207B-115	PAD,5X9X14.5,4HOLES,W/BP,BLK LTHR	39.15
CWPD1207B-116	PAD,5X9X14.5,4HOLES,W/BP,NVBL LTH	39.16
CWPD1207B-117	PAD,5X9X14.5,4HOLES,W/BP,PUTTY	39.17
CWPD1207B-118	PAD,5X9X14.5,4HOLES,W/BP,IMPRL BL	39.18
CWPD1207B-119	PAD,5X9X14.5,4HOLES,W/BP,YEW GRN	39.19
CWPD1207B-120	PAD,5X9X14.5,4HOLES,W/BP,DSTY JD	39.2
CWPD1207B-121	PAD,5X9X14.5,4HOLES,W/BP,TER COT	39.21
CWPD1207B-122	PAD,5X9X14.5,4HOLES,W/BP,PAPRIKA	39.22
CWPD1207B-123	PAD,5X9X14.5,4HLS,W/BP,ASH LTHR	39.23
CWPD1207B-124	PAD,5X9X14.5,4HLS,W/BP,CERULAN LTHR	39.24
CWPD1207B-125	PAD,5X9X14.5,4HLS,W/BP,CHARCOAL LTH	39.25
CWPD1207B-126	PAD,5X9X14.5,4HLS,W/BP,HUNTER LTHR	39.26
CWPD1207B-127	PAD,5X9X14.5,4HLS,W/BP,MOSS LTHR	39.27
CWPD1207B-128	PAD,5X9X14.5,4HLS,W/BP,SPICE LTHR	39.28
CWPD1207B-129	PAD,5X9X14.5,4HLS,W/BP,TOMATO LTH	39.29
CWPD1403A-101	PAD,5.625ODX1.5IDX12,BLACK	40.01
CWPD1403A-102	PAD,5.625ODX1.5IDX12,RYL BL	40.02
CWPD1403A-103	PAD,5.625ODX1.5IDX12,DV GRY	40.03
CWPD1403A-104	PAD,5.625ODX1.5IDX12,CROCUS	40.04
CWPD1403A-105	PAD,5.625ODX1.5IDX12,GROTTO	40.05
CWPD1403A-106	PAD,5.625ODX1.5IDX12,GRPHTE	40.06
CWPD1403A-107	PAD,5.625ODX1.5IDX12,RED	40.07
CWPD1403A-108	PAD,5.625ODX1.5IDX12,CH GRN	40.08
CWPD1403A-109	PAD,5.625ODX1.5IDX12,TURQSE	40.09
CWPD1403A-110	PAD,5.625ODX1.5IDX12,RASP	40.1
CWPD1403A-111	PAD,5.625ODX1.5IDX12,PLUM	40.11
CWPD1403A-112	PAD,5.625ODX1.5IDX12,REGMNT	40.12
CWPD1403A-113	PAD,5.625ODX1.5IDX12,SP BLUE	40.13
CWPD1403A-115	PAD,5.625ODX1.5IDX12,BLK LTH	40.15
CWPD1403A-116	PAD,5.625ODX1.5IDX12,NB LTH	40.16
CWPD1403A-117	PAD,5.625ODX1.5IDX12,PUTTY	40.17
CWPD1403A-118	PAD,5.625ODX1.5IDX12,IMPRL BL	40.18
CWPD1403A-120	PAD,5.625ODX1.5IDX12,DSTY JD	40.2
CWPD1403A-121	PAD,5.625ODX1.5IDX12,TER COT	40.21
CWPD1403A-122	PAD,5.625ODX1.5IDX12,PAPRIKA	40.22
CWPD1403A-123	PAD,5.625ODX1.5IDX12,ASH LTHR	40.23
CWPD1403A-124	PAD,5.625ODX1.5IDX12,CERULEAN LTHR	40.24
CWPD1403A-125	PAD,5.625ODX1.5IDX12,CHARCOAL LTHR	40.25
CWPD1403A-126	PAD,5.625ODX1.5IDX12,HUNTER LTHR	40.26
CWPD1403A-127	PAD,5.625ODX1.5IDX12,MOSS LTHR	40.27
CWPD1403A-128	PAD,5.625ODX1.5IDX12,SPICE LTHR	40.28
CWPD1403A-129	PAD,5.625ODX1.5IDX12,TOMATO LTHR	40.29
CWPF1016-731	BAR,,FLAT CR/HR, 3/8 X 2 X 8 1/4, 3	41
CWSA1501-721	WELDMENT, COUNTER WEIGHT, 2" THK, W	42
CW30088-100	WEIGHT STACK,100 LBS,MTP-S,PF1188L,	43
CWHCYN044-375	SCREW, HEX HEAD , BLK XYLA	44
CWKADLN050-081	NUT, ACORN, 1/2-13	45
CWKMYN044-038	NUT, HEX, UNC, 7/16-14, BLK XYLAN	46

CWKAYN050-031	LOCKNUT, NYLON INSERT, HALF, UNC, 1	47
CW12537-109	NUT,INSERT,THIN-NUT,LARGE FLANGE	48
CWLDNN031-200	PIN, ROLL, DIA 5/16 X 2.00	49
CWTAYN038-075	SCREW, BUTTON HEAD, BLK XYLAN, 3/8	50
CWTAYN031-150	SCREW, BUTTON HEAD, BLK XYLAN,5/16	51
CWBFNN050-250	STUD, 1/2-13 X 2 1/2	52
CWWBKN031-007	WASHER, FLAT, TYPE A, SAE, 5/16 ID	53
CWWBKN038-007	WASHER, FLAT, TYPE A, SAE, 3/8 ID	54
CWWNKN138-016	WASHER, FLAT, 1 3/8 ID X 3 OD, 0.15	55
CWWALYN031-008	WASHER, SPLIT, 5/16 ID, BL	56
CWWALYN038-009	WASHER, SPLIT, 3/8 ID, BLK XYLAN	57
CWWALYN044-011	WASHER, SPLIT, 7/16 ID, BLK XYLAN	58
CWWALYN050-013	WASHER, SPLIT, 1/2 ID, BLK XYLAN	59
CW30010-101	LABEL,WARNING STRENGTH	60
CW30041-101	LABEL,INSTRUCTION,504	61
CW31756-101	LABEL, PRECOR USA ICARIAN LINE	62
CW31784-731	STOP PLUG, BLK ZN	63
CW32460-321	ASSY, RATCHETING LEVER, TITANIUM	70
CWAC1236-101	GUIDE INSERT, PLASTIC WITHOUT HOLE,	71
CW12634-101	SPRING, TORSION 90 DEG X 0.484 X 0.	72
CW31770-742	LATCH PIVOTING PIN, CLR ZN	73
CWAMNN028-003	RING, RETAINING, 2-TURN, SPIRAL, SS	74
CW12633-101	ENDCAP, REC TUBE, LDP, 1 1/2 X 3 1	75
CW30181-711	ASSY,SEAT SUPPORT,9 HOLE,CHM	76
CW30165-751	ASSY, POP PIN, 0.450 DIA HANDLE, B	77
CWAC220-901	HANDLE END CAP W/SET SCREWS, DIA 3/	101
CWGR2505-000	GRIP,RUBBER,3/4" DIA, 5"	102
CW10510-721	ASSY, PLATE, WEIGHT, 10 LBS, WRKL B	201
CW10520-721	ASSY, PLATE, WEIGHT, 20 LBS, WRKL B	202
CWAC1133-101	BUSHING, WEIGHT PLATE, LDPE PLASTIC	203
CW30172-751	ASSY, 4.00 IN WEIGHT STACK PIN AND	227
CW30173-751	ASSY, 6.00 IN WEIGHT STACK PIN AND	228
CWLDNN038-200	PIN, ROLL, DIA 3/8 X 2	250
CW30184-901	ASSY,BARREL, TOP PLATE,ALUMINUM	251
CW30390-721	WELDMENT, WEIGHT, TOP, MTP-S, PF118	256
CWAC1185-101	LABL,KEEP HND&FT CLR(CEMCO)3/8X6.75	259
CW30128-712	SELECTOR STEM, 10 PLATE,0 .875 DIA,	302
CWAC1185-101	LABL,KEEP HND&FT CLR(CEMCO)3/8X6.75	312
CW12401-106	LABEL, WEIGHT PLATE, 20 LBS/ 8 KG	319
CW12401-110	LABEL, WEIGHT PLATE, 30 LBS/ 13.6 K	323
CW12401-114	LABEL, WEIGHT PLATE, 40 LBS/ 18.2 K	327
CW12401-118	LABEL, WEIGHT PLATE, 50 LBS/ 22.7 K	331
CW12401-120	LABEL, WEIGHT PLATE, 60 LBS/ 27.3 K	333
CW12401-122	LABEL, WEIGHT PLATE, 70 LBS/ 31.8 K	335
CW12401-124	LABEL, WEIGHT PLATE, 80 LBS/ 36.4 K	337
CW12401-126	LABEL, WEIGHT PLATE, 90 LBS/ 40.9 K	339
CW12401-128	LABEL, WEIGHT PLATE, 100 LBS/ 45.5	341
CW12401-130	LABEL, WEIGHT PLATE, 120 LBS/ 54.6	343
CW12401-132	LABEL, WEIGHT PLATE, 140 LBS/ 63.6	345
CW30390-721	WELDMENT, WEIGHT, TOP, MTP-S, PF118	356
CW12537-109	NUT,INSERT,THIN-NUT,LARGE FLANGE	400
CW30126-101	LABEL,VINYL, PRECOR, 3.25 X 18.0	401

CWPF3143-211	SHROUD,SHEET,STEEL,3/32 THICK,4 BEN	402.01
CWPF3143-221	SHROUD,SHEET,STEEL,3/32 THICK,4 BEN	402.02
CWPF3143-231	SHROUD,SHEET,STEEL,3/32 THICK,4 BEN	402.03
CWPF3143-241	SHROUD,SHEET,STEEL,3/32 THICK,4 BEN	402.04
CWPF3143-251	SHROUD,SHEET,STEEL,3/32 THICK,4 BEN	402.05
CWPF3143-261	SHROUD,SHEET,STEEL,3/32 THICK,4 BEN	402.06
CWPF3143-271	SHROUD,SHEET,STEEL,3/32 THICK,4 BEN	402.07
CWPF3143-281	SHROUD,SHEET,STEEL,3/32 THICK,4 BEN	402.08
CWPF3143-291	SHROUD,SHEET,STEEL,3/32 THICK,4 BEN	402.09
CWPF3143-311	SHROUD,SHEET,STEEL,3/32 THICK,4 BEN	402.11
CWPF3143-321	SHROUD,SHEET,STEEL,3/32 THICK,4 BEN	402.12
CWPF3143-331	SHROUD,SHEET,STEEL,3/32 THICK,4 BEN	402.13
CWPF3143-341	SHROUD,SHEET,STEEL,3/32 THICK,4 BEN	402.14
CWPF3143-351	SHROUD,SHEET,STEEL,3/32 THICK,4 BEN	402.15
CWPF3143-361	SHROUD,SHEET,STEEL,3/32 THICK,4 BEN	402.16
CWPF3143-711	SHROUD,SHEET,STEEL,3/32 THICK,4 BEN	402.17
CWPF3144-721	SHROUD BRKT,PLATE,STEEL,1/8 THICK,1	403
CWPF3145-721	SHROUD BRKT,PLATE,STEEL,1/8 THICK,2	404
CWTAYN031-100	SCREW, BUTTON HEAD, BLK XYLAN, 5/1	405
CWWALYN031-008	WASHER, SPLIT, 5/16 ID, BL	406
CWWBKN031-007	WASHER, FLAT, TYPE A, SAE, 5/16 ID	407
CWAC1177-101	FLOOR PROTECTOR, RUBBER, 4.563 X 4.	501